

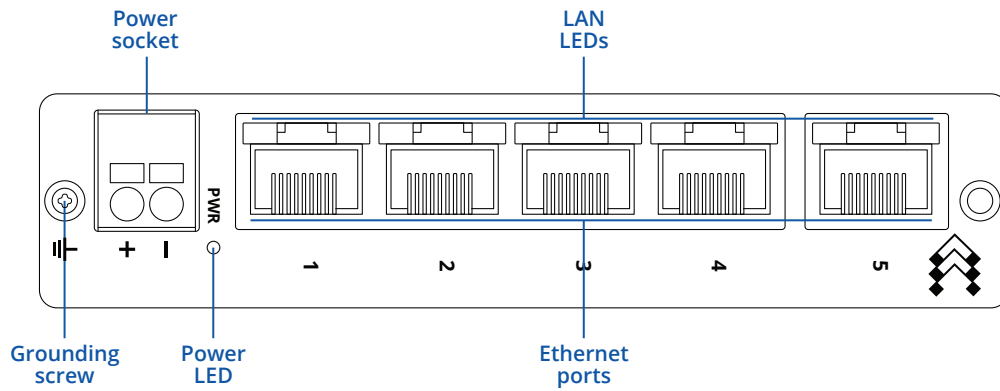


TSW114

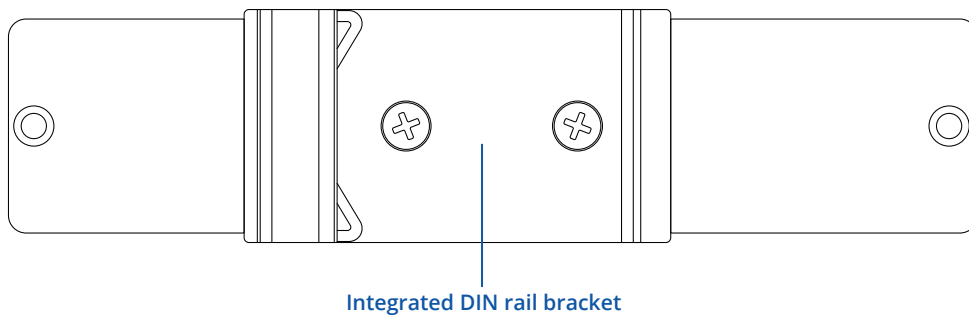


HARDWARE

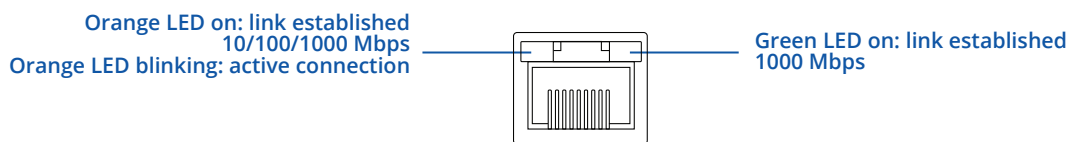
FRONT VIEW



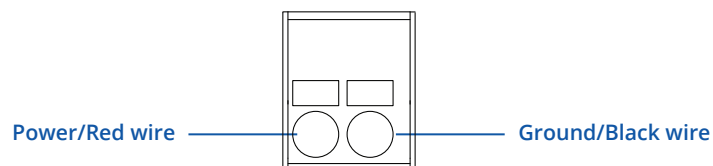
BACK VIEW



RJ45 LED MEANING



POWER SOCKET PINOUT



FEATURES

INTERFACES

Ethernet	5 x RJ45 ports, 10/100/1000 Mbps, compliance with IEEE 802.3, IEEE 802.3u, 802.3az standards, supports auto MDI/MDIX crossover
----------	--------------------------------------------------------------------------------------------------------------------------------

PERFORMANCE SPECIFICATIONS

Bandwidth (Non-blocking)	10 Gbps
Packet buffer	128 KB
MAC address table size	2K entries
Jumbo frame support	9216 bytes

POWER

Connector	2-pin industrial DC power socket
Input voltage range	9 - 30 VDC
PoE (passive)	Passive PoE. Possibility to power up through LAN port, not compatible with IEEE802.3af, 802.3at and 802.3bt standards
Power consumption	Idle: 0.3 W / Max: 2.3 W

PHYSICAL INTERFACES (PORTS, LEDS)

Ethernet	5 x RJ45 ports, 10/100/1000 Mbps
Status LEDs	1 x Power LED, 10 x LAN status LEDs
Power	1 x 2-pin industrial DC power socket
Grounding	1 x Grounding screw

PHYSICAL SPECIFICATION

Casing material	Anodized aluminum housing and panels
Dimensions (W x H x D)	113.1 x 27.4 x 80.5 mm
Weight	174 g
Mounting options	Integrated DIN rail bracket, wall mounting (additional kit needed), flat surface placement

OPERATING ENVIRONMENT

Operating temperature	-40 °C to 75 °C
Operating humidity	10 % to 90 % non-condensing
Ingress Protection Rating	IP30

CERTIFICATION & APPROVALS

Regulatory	CE, REACH, RoHS, WEEE UKCA, FCC, IC, CB, RCM
------------	-------------------------------------------------

SAFETY

Standards	EN IEC 62368-1:2020+A11:2020
-----------	------------------------------

WHAT'S IN THE BOX?

STANDARD PACKAGE CONTAINS

- TSW114
- QSG (Quick Start Guide)
- Packaging box



STANDARD ORDER CODES

PRODUCT CODE	HS CODE	HTS CODE	PACKAGE CONTAINS
TSW114 000000	851762	8517.62.00	Standard package

For more information on all available packaging options – please contact us directly.

TSW114 SPATIAL MEASUREMENTS & WEIGHT

MAIN MEASUREMENTS

W x H x D dimensions for TSW114:

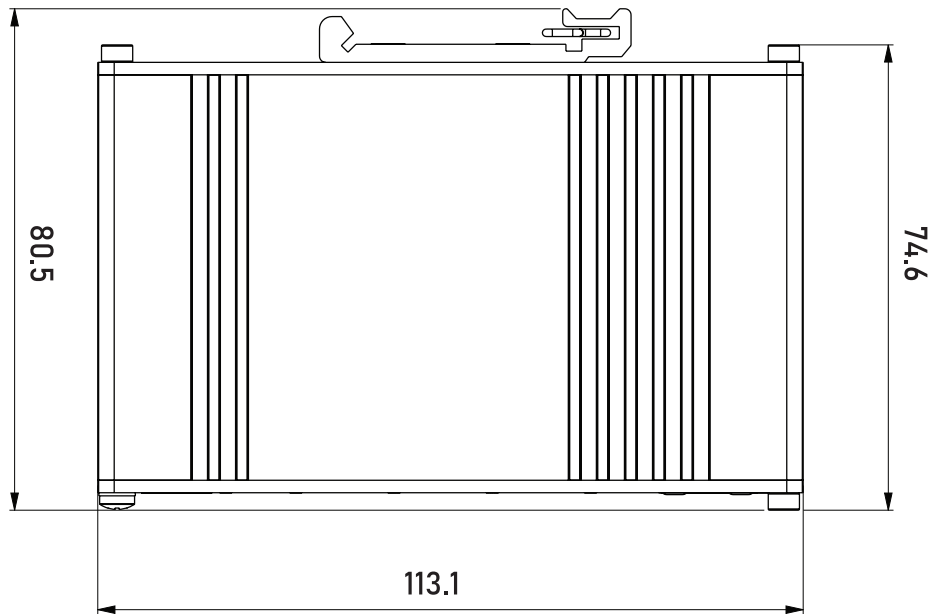
Device housing*: 113.1 x 27.4 x 80.5 mm

Box: 173 x 71 x 148 mm

*Housing measurements are presented without connectors and screws; for measurements of other device elements look to the sections below.

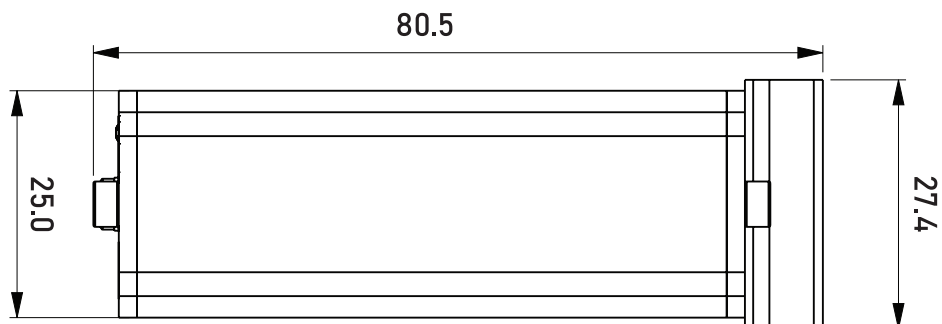
TOP VIEW

The figure below depicts the measurements of TSW114 and its components as seen from the top:



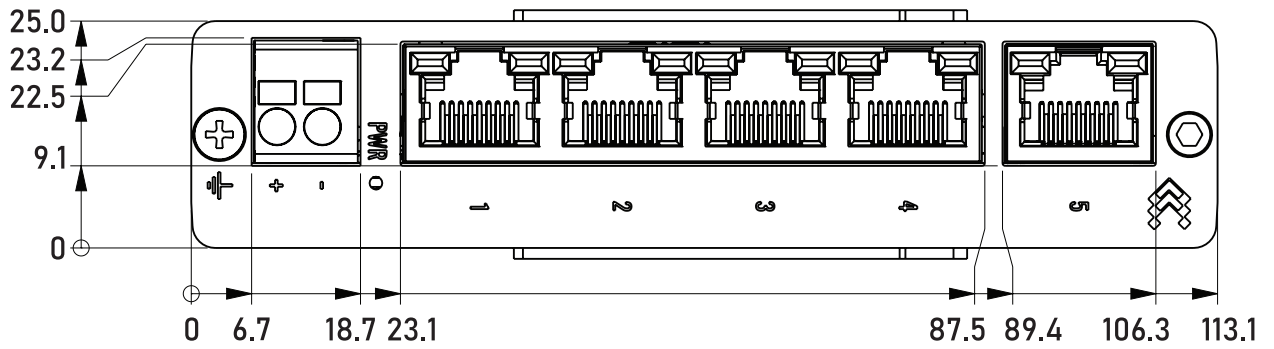
RIGHT VIEW

The figure below depicts the measurements of TSW114 and its components as seen from the right side:



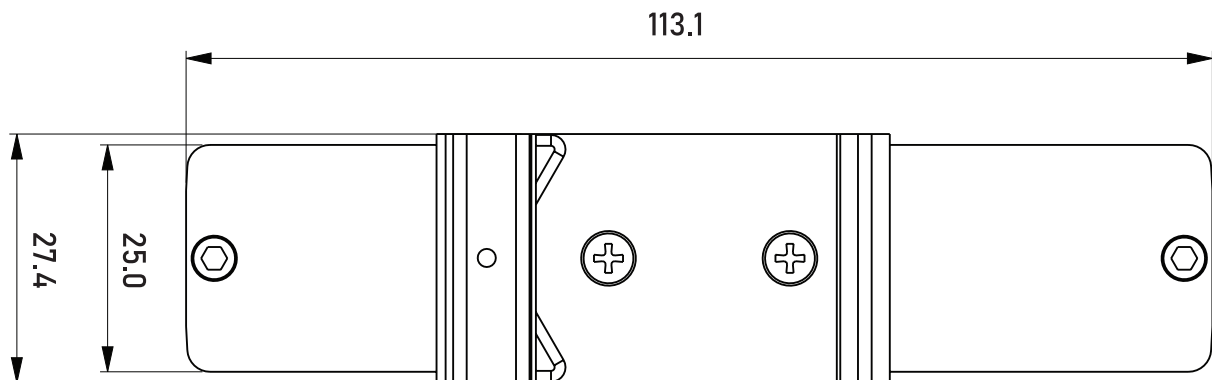
FRONT VIEW

The figure below depicts the measurements of TSW114 and its components as seen from the front panel side:



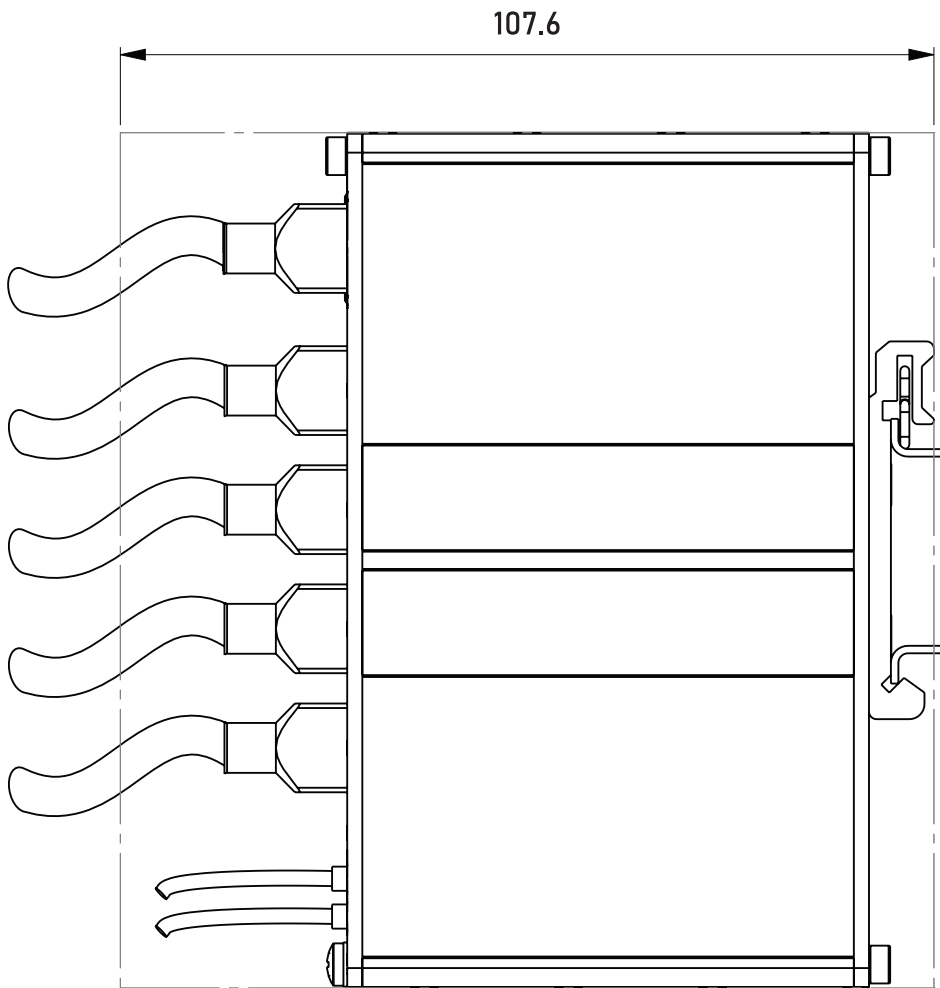
REAR VIEW

The figure below depicts the measurements of TSW114 and its components as seen from the back panel side:



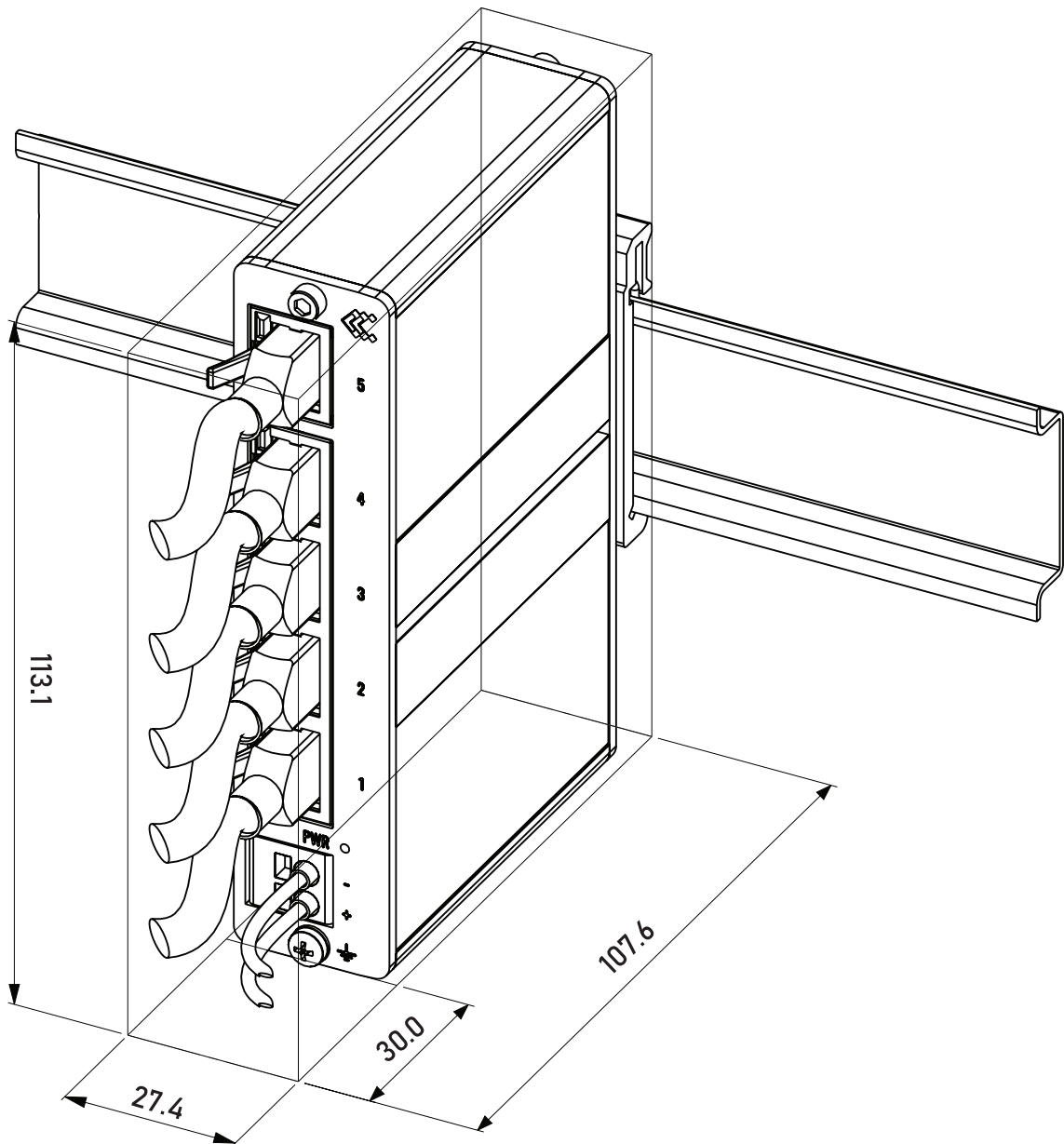
MOUNTING SPACE REQUIREMENTS

The figure below depicts an approximation of the device's dimensions when cables are attached:



DIN RAIL

The scheme below depicts protrusion measurements of an attached DIN Rail:



Pulse Supply
 909 Ridgebrook Road, Sparks, Maryland 21152, USA
 TEL : +1-410-583-1701 FAX : +1-410-583-1704
 E-mail: sales@pulsesupply.com
<https://www.pulsesupply.com/teltonika>