



Powering and Connecting Your World

NEW PRODUCT ANNOUNCEMENT

Rolling TV/Monitor Carts with Rechargeable Battery System

Add Mobility and Placement Flexibility to Displays



Model: DMCS60100XB



The rechargeable battery system can power a display when a wall outlet is not available.

Perfect for:

Conference rooms, classrooms, huddle spaces and improvised meeting areas.

Tripp Lite's new rolling TV/monitor carts integrate a heavy-duty mobile stand with a rechargeable battery system to add mobility and placement flexibility to most flat-panel televisions, monitors, digital whiteboards and interactive touchscreens.

A display can be rolled wherever it is needed, allowing audio/video resources to be shared in corporate, education, healthcare, commercial, hospitality, retail and government settings. When a wall outlet is not available, the rechargeable battery system can power the display for up to 90 minutes.

Key Benefits

BROAD COMPATIBILITY

- Carts support flat or curved screens from 32 to 70 inches and 60 to 100 inches.
- VESA-compliant brackets provide no-hassle display mounting.

EASY MOBILITY

- 4-inch swivel casters provide smooth rolling for easy resource sharing; locks keep the cart in position while at rest.
- Handles on the support columns help users guide movement.

UNTETHERED OPERATION

- Lithium-ion battery system supports up to 90 minutes of display use without plugging into a wall outlet.
- Battery charges when the system is plugged into an AC outlet.
- LEDs indicate the battery charge level.

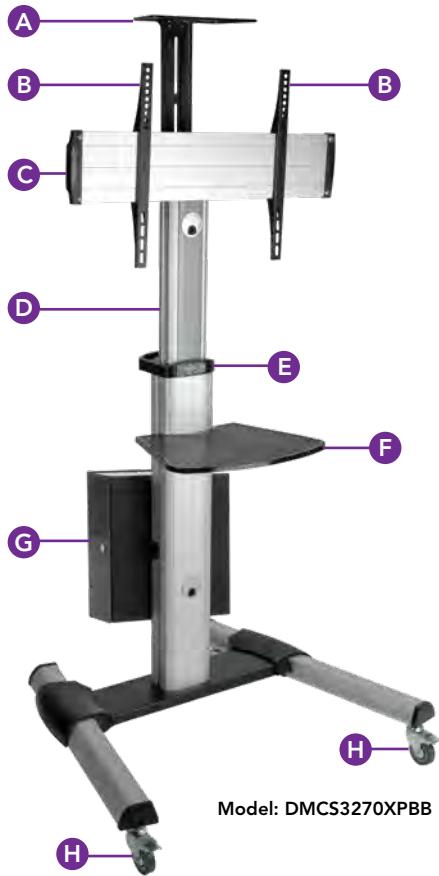
CONVENIENT ADJUSTABILITY

- Height and tilt adjustments improve viewing angles and reduce glare.
- The DMCS3270XPBB display mount can be positioned for portrait or landscape viewing.

SPACE FOR COMPONENTS

- Upper shelf supports a webcam or projector.
- Lower shelf holds a laptop, tablet or other accessories.
- Cable management openings reduce cord clutter.

Feature Focus



Model: DMCS3270XPBB



Model: DMCS60100XXBB

- A** Upper Shelf for Webcam or Projector
- B** VESA-Compliant Mounting Brackets
- C** 90° Rotatable Mounting Plate
- D** Height-Adjustable Support Column(s)
- E** Handle(s) to Guide Movement
- F** Lower Shelf for Laptop or Accessories
- G** Rechargeable Battery System
- H** Heavy-Duty Casters



SPECIFICATIONS

Model	DMCS3270XPBB	DMCS60100XXBB
For Screen Sizes	32 to 70 in. (Flat/Curved)	60 to 100 in. (Flat/Curved)
Max. Weight Capacity	150 lb.	220 lb.
Supported VESA Mounting Patterns (mm)	200 x 200, 200 x 300, 200 x 400, 300 x 200, 300 x 300, 300 x 400, 400 x 200, 400 x 300, 400 x 400, 500 x 200, 500 x 300, 500 x 400, 600 x 300, 600 x 400	200 x 200, 200 x 300, 200 x 400, 200 x 500, 300 x 200, 300 x 300, 300 x 400, 300 x 500, 300 x 600, 400 x 200, 400 x 300, 400 x 400, 400 x 500, 400 x 600, 500 x 200, 500 x 300, 500 x 400, 500 x 500, 500 x 600, 600 x 300, 600 x 400, 600 x 500, 600 x 600, 600 x 900, 700 x 300, 700 x 400, 700 x 500, 700 x 600, 800 x 300, 800 x 400, 800 x 500, 800 x 600, 900 x 400, 900 x 500, 1000 x 400, 1000 x 500, 1000 x 600
Display Height Adjustment (Above the Floor)	47 to 63 in.	47 to 65 in.
Viewing Orientation	Landscape or Portrait (Rotatable)	Landscape
Tilt Adjustment	-12° to +5°	-10° to +5°
Input Voltage (AC)	120V	120V
Input Plug/Cord Lg.	NEMA 5-15P/6 ft.	NEMA 5-15P/6 ft.
Mobile Power Source	Lithium iron phosphate (LFP) battery	Lithium iron phosphate (LFP) battery
Battery Capacity	32 Ah	32 Ah
Battery Voltage (DC)	12.8V	12.8V
Battery Runtime*	Up to 90 minutes	Up to 90 minutes
Battery Charge Time	2.8 hours	2.8 hours
Battery Cycle Life	1,500 cycles	1,500 cycles
Primary Construction	Aluminum, Steel	Aluminum, Steel
Unit Dimensions (H x W x D)**	81.5 x 32.6 x 27.6 in.	91.1 x 44.8 x 27.6 in.
Unit Weight	46.2 lb.	61 lb.
Limited Warranty	2 Years	2 Years



Pulse Supply
 909 Ridgebrook Road., Sparks, Maryland 21152, USA
 TEL : +1-410-583-1701 FAX : +1-410-583-1704
 E-mail: sales@pulsesupply.com
<https://www.pulsesupply.com/tripp-lite>

