



AX-MK-WM, short wall-mounted pole for single ODU

Datasheet



Introduction

The AX-MK-WM is a short pole for easy installation of a single Siklu radio on a wall, with full 90° horizontal rotation for many antenna sizes and running of the data cables to the radio, through the wall or from under/above the radio. The AX-MK-WM is mounted on the wall with 4 bolts, adapted to the wall type (the bolts are not supplied).

This document provides technical information and compatibility rules with the Siklu radios and antennas.

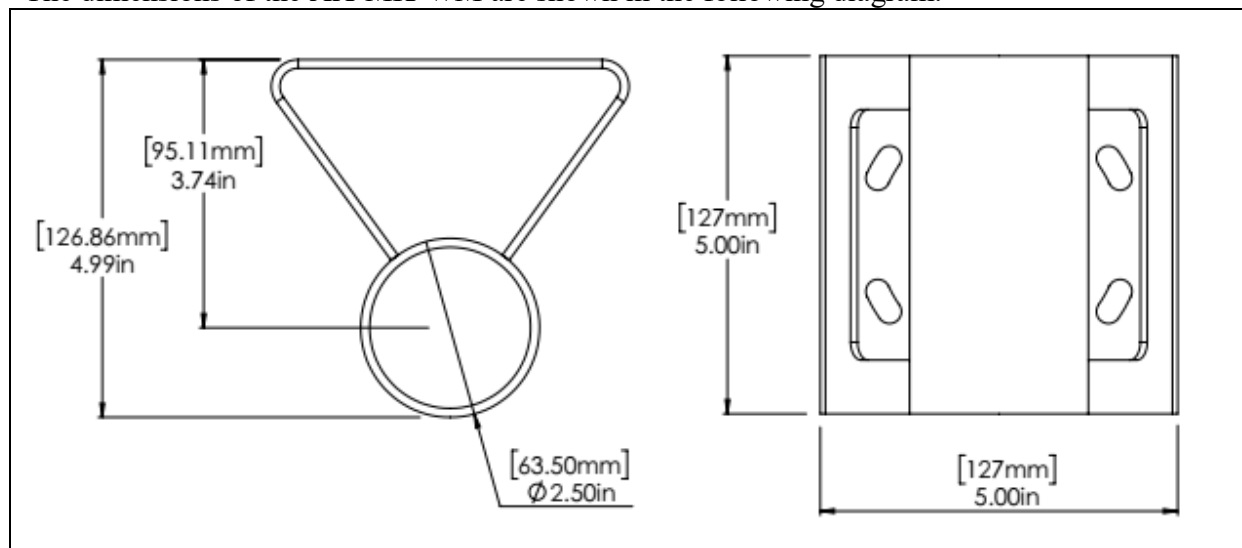
Edition: A3



1. Technical Information

1.1 Dimensions and weight

The dimensions of the AX-MK-WM are shown in the following diagram.



The weight of the AX-MK-WM is: 2.8 lbs. (1.8Kg).

1.2 Material

The AX-MK-WM is built from heavy-duty zinc-plated cold-rolled steel for reliability and its finish matches with other Siklu mounting accessories.

2. Compatibility Rules

The following table describes the compatibility of the AX-MK-WM with EtherHaul™ and MultiHaul™ radios and antennas. The amount of rotation is also noted.

Radio	Antenna (size or P/N)	Mounting Kit	Compatibility / rotation up to
MultiHaul™ B100, T200, T201	Integrated	Integrated	Yes / 90°
EtherHaul™ 500/600/614	0.5ft integrated antenna	EH-MK-SM	Yes / 90°
EtherHaul™ 600	EH-ANT-1ft-60GHz	AX-MK-1ft-B	Yes / < 90° (R)
EtherHaul™ 700/710	EH-ANT-0.5ft	EH-MK-SM	Yes / 90°
EtherHaul™ 700/710	EH-ANT-1ft-B	AX-MK-1ft-B	Yes / < 90° (R)
EtherHaul™ 1200/2200/2500/5500	EH-ANT-0.5-SLIM	AX-MK-1ft-B	Yes / < 90° (R)
EtherHaul™ 1200/2200/2500/5500	EH-ANT-1ft-B	AX-MK-1ft-B	Yes / < 90° (R)
EtherHaul™ 8010	EH-ANT-0.5-8000	AX-MK-1ft-B	Yes / < 90° (R)
EtherHaul™ 8010	EH-ANT-1ft-B	AX-MK-1ft-B	Yes / < 90° (R)
EtherHaul™ (all)	EH-ANT-2ft-B	Integrated in the antenna	No

(R): The amount of rotation for these ODU's and antenna combinations is less than 90° and depends on the polarization, horizontal or vertical.