



TECHNICAL SPECIFICATIONS

AirLink® LX40

Essential Series Routers



	North America	EMEA	Australia & New Zealand	Global
	LTE			LTE-M/NB-IoT
LTE CATEGORY	Cat-4 (WP7610)	Cat-4 (WP7607)	Cat-4 (WP7609)	Cat-M1/NB1 (WP7702)
Peak D/L	Up to 150 Mbps	Up to 150 Mbps	Up to 150 Mbps	Cat-M1: 300kbps Cat-NB1: 27kbps
Peak U/L	Up to 50 Mbps	Up to 50 Mbps	Up to 50 Mbps	Cat-M1: 375kbps Cat-NB1: 65kbps
4G LTE	1900(B2), AWS(B4), 850(B5), 700(B12), 700(B13), 700(B14), 700(B17), 1700(B66)	2100(B1), 1800(B3), 2600(B7), 900(B8), 800(B20), 700(B28)	2100(B1), 1800(B3), 850(B5), 2600(B7), 900(B8), 700(B28)	2100(B1), 1900(B2), 1800(B3), AWS(B4), 850(B5), 900(B8), 700(B12), 700(B13), 700(B17), 850(B18), 850(B19), 800(B20), 850(B26), 700(B28)
3G WCDMA/HSPA+	1900(B2), AWS(B4), 850(B5)	2100(B1), 900(B8)	2100(B1), 850(B5), 900(B8)	
2G GSM/GPRS		900, 1800		850, 900, 1800, 1900
APPROVALS				
Regulatory	FCC, IC, PTCRB	GCF, CE	GCF, RCM	PTCRB, FCC, GCF, IC, CE
Carrier	Verizon, AT&T		Planned: Telstra	Verizon (Cat-M1), AT&T (Cat-M1)
PART NUMBERS	1104579 1104573 (Wi-Fi)	1104181 1104182 (Wi-Fi)	1104183 1104184 (Wi-Fi)	1104180

	Specification
HOST INTERFACES	1 Gigabit RJ-45 Ethernet Port (POE) USB 2.0 Micro-B Connector 2 SMA antenna connectors (cellular, diversity) 1 SMA for LTE-M version 1 RP SMA antenna connector (Wi-Fi)
WI-FI (Optional)	Dual Band 2.4/5GHz Wi-Fi 802.11 b/g/n/ac (Wave2 Client Mode) Support for 10 clients, WPA2 Enterprise Output power 16dBm per channel Access Point or Client Mode (Wi-Fi as WAN) Single SSID Support Captive Portal
INPUT/OUTPUT	Configurable I/O pin on power connector <ul style="list-style-type: none"> Digital Inputs: ON Voltage: 2.7 to 36 VDC Configurable Pull-ups for dry contact input Digital Open Collector Output > sinking 500 mA Analog Inputs: 0.5-36VDC (range selectable)
LAN (ETHERNET/USB)	DHCP Server IP Passthrough VLAN Host Interface Watchdog PPPoE

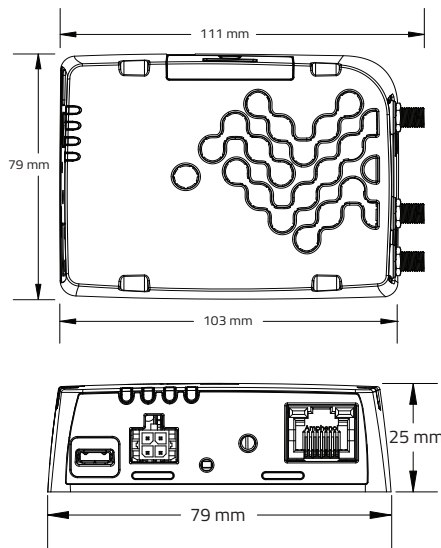
	Specification
SECURITY	Remote Authentication (LDAP, RADIUS, TACACS+) DMZ Inbound and Outbound Port filtering Inbound and Outbound Trusted IP MAC Address Filtering PCI compatible Secure Firmware Update
NETWORK MANAGEMENT	Secure mobile network & asset management application available in the cloud or licensed platform in the enterprise data center Fleet wide firmware upgrade delivery Router configuration and template management Router staging over the air and local Ethernet connection Over-the-air software and radio module firmware updates Device Configuration Templates Configurable monitoring and alerting Remote provisioning and airtime activation (where applicable)
EVENTS ENGINE	Custom event triggers and reports Configurable interface, no programming Event Types: Digital Input, Network Parameters, Data Usage, Timer, Power, Device Temperature and Voltage Report Types: RAP, SMS, Email, SNMP Trap, TCP (Binary, XML, CSV) Event Actions: Drive Relay Output



	Specification
NETWORK AND ROUTING	Network Address Translation (NAT) Ethernet WAN Port Forwarding Verizon PNTM NEMO/DMNR IPv6 Gateway VRRP Policy Routing Reliable Static Route Dynamic DNS
VPN INTERFACES	IPsec, GRE, and OpenVPN Client Up to 5 concurrent tunnels Split Tunnel Dead Peer Detection (DPD)
ROUTER MANAGEMENT INTERFACES	Local web user interface AT Command Line Interface (Telnet/SSH) SNMP SMS Commands
APPLICATION FRAMEWORK	ALEOS Application Framework (AAF) LUA Scripting Language
POWER	Input Voltage: 7 to 36 VDC Low voltage disconnect to prevent battery drain Built-in protection against voltage transients Power-over-Ethernet (PoE) powered device Ignition Sense with time delay shutdown
DIMENSIONS	103 mm (111 mm including connectors) x 79 mm x 25 mm 4.1 in (4.4 in including connectors) x 3.1 in x 1.0 in

*For carrier specific band support please refer to the hardware user guide.

	Specification
ENVIRONMENTAL	Operating Temperature: -30°C to +65°C / -22°F to +149°F (+60°C / +140°F when using PoE) Storage Temperature: -40°C to +85°C / -40°F to +185°F Humidity: 90% RH @ 60°C Military Spec ML-STD-810G conformance to shock, vibration, thermal shock, and humidity IP21 rated ingress protection
INDUSTRY CERTIFICATIONS	Safety: IECCE Certification Bodies Scheme (CB Scheme), UL 60950 Vehicle Usage: E-Mark (UN ECE Regulation 10.04), ISO7637-2, SAE J1455 (Shock, Vibration, Electrical) Environmental: RoHS2, REACH, WEEE Environmental: RoHS2, REACH, WEEE
SUPPORT AND WARRANTY	Includes 1st Year AirLink Complete: <ul style="list-style-type: none"> AirLink Management Service (ALMS) Direct 24/7 Technical Support 3-year standard warranty; optional 2-year warranty extension 1-day Accelerated Hardware Replacement available through participating resellers
ACCESSORIES	In the box: DC Power Cable and Quick Start Guide Other Accessories (sold separately): 2000579 AC Adapter, 12VDC 6001221 DIN Rail Bracket 6001110 Cellular Paddle Antenna 6001111 Wi-Fi 2.4/5Hz Paddle Antenna 6001231 Panel Antenna (LPWA)



Related AirLink Products

AIRLINK DEVICE MANAGEMENT SOLUTIONS

AirLink Management Service (ALMS)



- Secure, Cloud-based network and asset management
- Remotely deploy, configure, monitor and manage AirLink devices
- Carrier-grade, high availability, secure, global infrastructure

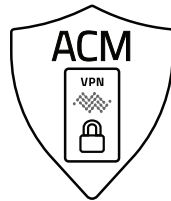
AirLink Manager / Mobility Manager (AM/AMM)



- Deployable in the enterprise data center (on-premises) or in the cloud
- Advanced, end-to-end network and asset management for both fixed and mobile networks.
- Remote, real-time configuration, control and troubleshooting of AirLink devices

AIRLINK VPN APPLIANCE

AirLink Connection Manager



- VPN appliance built from the ground up for Airlink routers & gateways
- Simplify deployment and management of your VPN solution, extending the enterprise to the network edge for fixed and mobile endpoints
- Carrier agnostic – ACM doesn't require fixed and/or public IP
- Compatible with FIPS 140-2, and always-on VPN capability



909 Ridgebrook Road, Sparks, Maryland 21152, USA
 TEL : +1-410-583-1701 FAX : +1-410-583-1704
 E-mail: sales@pulsesupply.com
<https://www.pulsesupply.com/sw-iwr>

About Sierra Wireless

Sierra Wireless (NASDAQ: SWIR) (TSX: SW) is the leading IoT solutions provider that combines devices, network and software to unlock value in the connected economy. Companies globally are adopting IoT to improve operational efficiency, create better customer experiences, improve their business models and create new revenue streams. Whether it's a solution to help a business securely connect edge devices to the cloud, or a software/API solution to help manage processes associated with billions of connected assets, or a platform to extract real-time data to make the best business decisions, Sierra Wireless will work with you to create the right industry-specific solution for your next IoT endeavor. Sierra Wireless has more than 1,300 employees globally and operates R&D centers in North America, Europe and Asia.

