

# DMT

## E1 GSM channel bank

# DMT-V

## 30 ports VoIP GSM gateway



### FEATURE

- GSM/UMTS/CDMA Can be all in one
- Provide CDR
- Has LCR
- Option SCBox: 4 sims, SCE-900: 32 sims per GSM Channel
- Set Calling time per sim card
- SMS sending and receiving (3G, CDMA version: unavailable)
- AT Command for checking sim balance
- PRI to CSM, GSM to PRI ( two ways )
- Support Remote Monitor traffic via VNC
- Option Antenna Combiner ( AC-32 ) :  
Connect with extra Omni antenna or Yagi Antenna
- Option Smart Power Monitor :  
Remote power on / off, reboot via PSTN or WEB
- Worldwide use  
( 2G-850/900/1800/1900 MHz, 3G compatible with all world and Japan, CDMA 2000 )



**DMT-V**



**SCE-900**



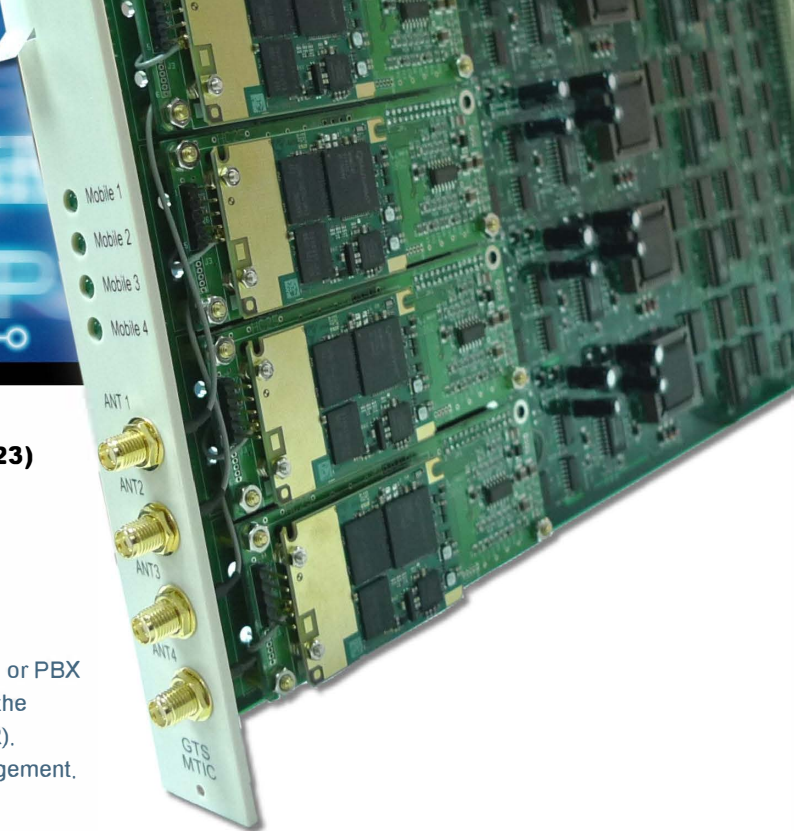
**SCBox**



**AC-32**



**Smart Power Monitor**



**DMT-V: 30 ports VoIP GSM Gateway (support SIP and H.323)**

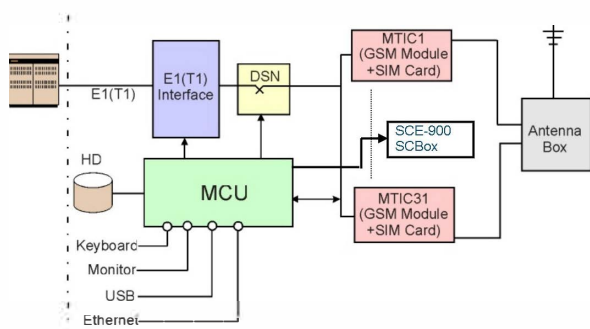
VoIP\*30,GSM\*31

**DMT: E1 GSM Channel Bank**

E1 PRI\*1,GSM\*31 or T1 PRI\*1,GSM\*24

Digital Mobile Trunk (DMT) accepts incoming call from E1/T1 PRI of PSTN or PBX or VoIP and choose one GSM channel to dial out according to the prefix of the destination mobile number. In this way, we can have least cost routing (LCR). DMT can provide Call Detail Record (CDR) for traffic and accounting management.

**System Architecture**



**GSM Frequency**

- ▶ Dual BAND:900/1800 MHZ
- ▶ Tri Band: 900/1800/1900MHZ
- ▶ Multi Band: 850/1800/1900MHZ
- ▶ Quad Band:900/1800/1900/850MHZ
- ▶ 3G/UMTS: for all world and Japan (SoftBank,Docomo Mobile)
- EDGE/GPRS 850, 900, 1800, 1900 MHz / HSDPA/
- ITS 850, 1900, 2100 MHz
- ▶ CDMA 2000(800MHZ/1900MHZ)



**Major Function**

- ▶ Each VoIP/PRI channel will connect to the corresponding output GSM Port.
- ▶ Auto-routing for the same network: system will search for the GSM port of the same network to dial out, according to the prefix of the out-dialing number from the incoming VoIP channel.
- ▶ Password validation: operator has to input the correct password for further setup of the system parameters.
- ▶ Hiding the CLID: user can choose whether to hide the CLID of the GSM port or not.
- ▶ Calling time: user can assign the calling time for each sheet of the SIM card. When the time runs out, system will block this GSM port, or switch to next unused SIM card (in the case that SCE is installed).
- ▶ Call detail record (CDR): the CDR is provided for further use of the billing system.
- ▶ Backup of CDR: user can set up the path of CDR backup. Simulate ring back tone: user can set up whether to simulate ring back tone or not.
- ▶ SCE test: system can auto-test the SIM card switching function to ensure the successful switchover without letting the SIM card be used repeatedly.
- ▶ ASR statistics: system will provide a time-varying ASR analyzing report for easy understanding the communication traffic.
- ▶ Besides VoIP to GSM,you may also apply GSM to VoIP (two ways).
  - \*GSM to VoIP: incoming GSM call will transfer to a specific number per gsm channel (user assign in DMT program)
- ▶ Optional external SCE-900: Expands SIM card upto 32 pieces per GSM channel.
- ▶ Optional external SCBox: Expands SIM card upto 4 pieces per GSM channel.
- ▶ Optional:If you want to connect extra Omni antenna or Yigi antenna,you can purchase option Antenna Combiner(AC-32) with Omni Antenna
- ▶ Optional:If your control room is usually no body there,you can consider our smart power monitor.
  - It can remote power on/off ,reboot via PSTN or WEB.
- ▶ 4 GSM Channels Per MTIC Card(7pcs). The last MTIC Card is 3 GSM Channels only. Total is 31 GSM Channels
- ▶ DIM:47.5cm\*43cm\*24cm

**Pulse Supply**

909 Ridgebrook Road, Sparks, Maryland 21152, USA TEL : +1-410-583-1701 FAX : +1-410-583-1704  
E-mail: sales@pulsesupply.com https://www.pulsesupply.com/portech

