

MAX HD1 Dome

Single Cellular Router for Mobile Deployments

Specifications

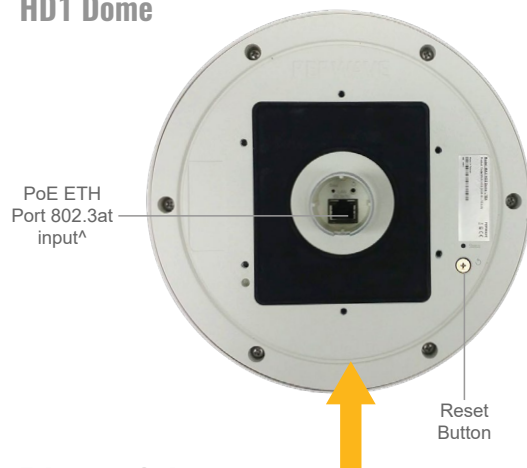
CAT-18



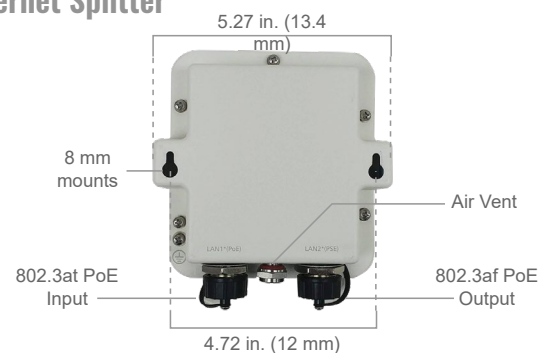
MAX HD1 Dome

| | |
|--------------------------|--|
| WAN Interface | 1x Embedded LTE Modems with Redundant SIM Slots [#] |
| LAN Interface | 1x 10/100/1000M Ethernet Ports [^] |
| Downlink/Uplink Datarate | 1.2 Gbps/150 Mbps |
| Enclosure | Rugged outdoor IP67 |
| Recommended Users | 150 |
| Cellular Antenna | 4x4 Internal MIMO Antennas 1x Internal GPS Antenna |
| Included Antenna | Built-In Omni Antenna Antenna gain: 4dBi |
| PepVPN | <input checked="" type="checkbox"/> |
| SpeedFusion HotFailover | <input type="checkbox"/> |
| Power Input | 1x Power over Ethernet 802.3at |
| Power Consumption | 20W (max.) |
| Dimensions | 4.33in. (radius) x 8.4in. (height) 110mm (radius) x 124mm (height) |
| Weight | With Ethernet Splitter (1700 grams, 3.75 pounds) Without Ethernet Splitter (1200 grams, 2.65 pounds) |
| Operating Temperature | -40° – 149°F -40° – 65°C |
| Humidity | 15% – 95% (non-condensing) |
| Certifications | FCC, CE, RoHS RF Port Lightning Immunity: ITU-T K.20 (+/- 1.5 kV) Shock and Vibration Resistance: EN 61373:1999 IEC 61373:1999 |
| Warranty | 1-Year Limited Warranty |
| Package Content | MAX HD1 Dome, Ethernet Splitter, 2x Waterproof Ethernet Connector (ACW-112), Mounting Kit Set |

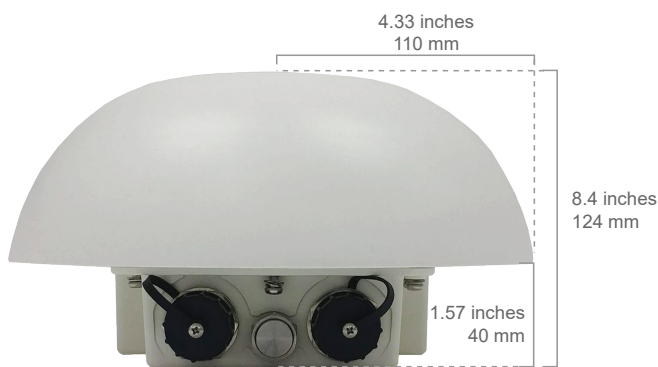
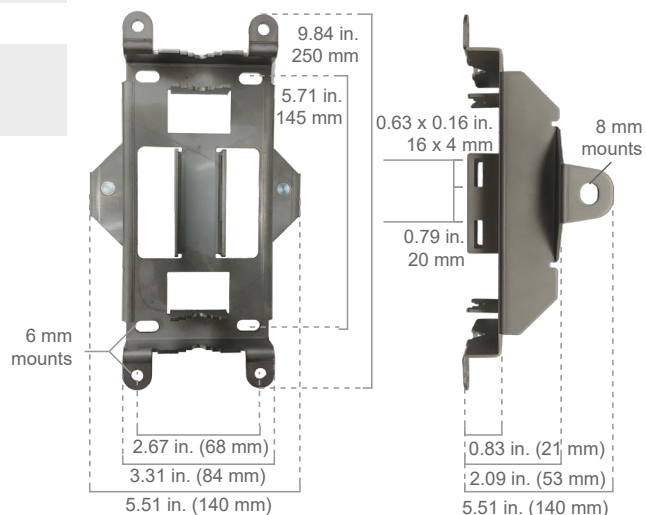
HD1 Dome



Ethernet Splitter



Mounting Bracket



[#]SIM Injector is available separately

[^]Ethernet LAN port can be split into two LAN ports using the included splitter (1x LAN 802.3af PoE out, 1x LAN PoE in)

Ordering Information

| Product Code | Carrier/Region | Modems | Cellular Standard | 4G Bands | 3G Bands |
|----------------------|-----------------|--------|-------------------|--|-------------------------|
| MAX-HD1-DOM-M-GLTE-G | Global / CAT-18 | 1 | LTE-A Pro | B1, B3, B25(B2), B66(B4), B26(B5/B18/B19), B7, B8, B12(17), B13, B14, B20, B28, B29, B30, B32, B71, B38, B39, B40, B41, B42, B43, B46, B48 | B1, B2, B4, B5(B19), B8 |

Accessories

| Product Code | Description |
|----------------|--|
| SIM-BK8-4E-56V | SIM Injector, 10x SIM cards capacity, 4x 10/100/1000 LAN ports, 56V DC |