

Pure Lead - High Rate



The NSB UPS Battery[®] delivers superior performance at high discharge rates down to <15 mins.

- Performance excels at high rates of discharge and recharge
- Pure lead electrochemistry greatly increases temp and corrosion resistance while reducing component aging
- Thin plates deliver large surface area high power density and low resistance
- Design life 15+ years at 20°C (68°F)
- EUROBAT design life definition: Very Long Life (12+ years)
- High modulus Polyphenylene Oxide (PPO) plastic materials designed to withstand extended elevated operating temperatures and maintain high battery compression essential for reliable operation
- Flame retardant (UL 94 V0) and LOI of at least 28%
- High energy density
- Operating temperature range -40°C to +65°C (-40°F to 149°F)
- State-of-the-art automated manufacturing ensures consistency and reliability
- Advanced 3 stage terminal design to ensure leak-free operation - brass terminals provide maximum performance
- Non-halogenated thermally sealed plastic casing
- Approved as non-hazardous cargo for ground, sea and air transport DOT 49CFR173.159(d), (i) and (ii)

NSB 12-730RT

Nominal Technical Specifications

Electrical

Terminal	Female M8 x 1.25	Terminal torque	8.0 Nm (71 in-lbs)
4C (15min) power to 1.67 VPC	728 Watts/Cell	Float voltage	2.27 VPC
Shelf life	up to 24 months	Conductance	2386 S
Impedance (1Khz)	2.25 mΩ @ 25°C (77°F)	Short circuit current	6000 A
Operation temperature range	-40°C to +65°C	Nominal voltage	12 V
Silver equivalent	N/A	Capacity	W/cell (15 min)

Dimensions

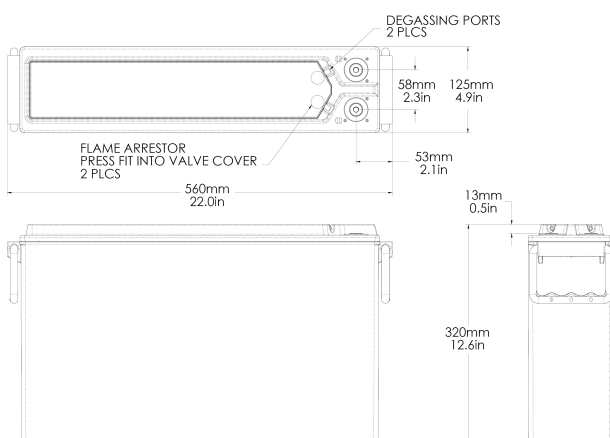
Height	12.6 in	Width	4.9 in
Length	22 in	Weight	137 lbs

Constant Power Discharge Ratings (WPC @ 25°C/77°F)

Duration (minutes) (watts/cell @ 25°C/77°F)

End of discharge (Volts)	2 min	5 min	10 min	15 min	20 min	30 min	45 min	60 min	120 min
1.75	1064	999	807	672	577	453	344	279	161
1.70	1231	1101	863	709	603	468	353	285	163
1.67	1325	1156	893	728	617	476	357	287	164
1.65	1383	1191	911	740	625	480	360	289	164
1.60	1511	1264	950	764	642	490	365	292	165

Technical Drawing



All NorthStar batteries are compliant with: Telcordia SR4228, IEC 60896; Bellcore GR-63-Core, Issue 1; British, German, and Russian telecom standards; UL approved and UN2800 certified. NorthStar is registered to ISO 9001 and ISO 14001.