



VERSAstream™ 1408

8 Port Network Packet Broker with Load Balancing and Packet Filtering



Flexible, Any-to-Any Line-Rate Hardware Based Load Balancing and Packet Filtering for Cost Effective Data Capture and Monitoring Applications

Data Capture Infrastructure Optimizes Network Monitoring and Increases Efficiency

Networks are growing more complex, carrying more services, higher volumes of multi-protocol network traffic, and requiring greater bandwidth. At the same time, network and security personnel are required to monitor and analyze more links in greater detail throughout the network in order to meet application performance demands, minimize security threats, and meet regulatory compliance. Higher speed networks are being deployed, fueling the need for higher speed monitoring tools.

Datacom Systems helps solve many of today's most pressing tool deployment problems by allowing organizations to conveniently connect 10G and 1G test and monitoring tools to any traffic on the network.

Load Balancing

Balance traffic across multiple ports to allow growth as the volume of data increases. Load balancing helps prevent loss of data by enabling deployment of redundant security tools that can back each other up, in the event of failure or during while their software updates. As links get faster, you need to be able to distribute traffic across lower speed analysis tools. Load balancing allows you to extend the life of existing lower speed devices as your network traffic increases.

Data Filtering

Instead of tools attempting to keep up with high-speed aggregates traffic streams, the VERSAstream can apply packet filters to the data to increase tool efficiency and eliminate port oversubscription. Line-rate hardware filtering on each port allows you to customize and streamline the amount and type of data each connected monitoring tool receives. Because they are receiving only traffic of interest, tools run faster, data is more manageable, and issues are resolved quicker. Command line filtering uses Wireshark™ based syntax.

Aggregation (Many-to-Any)

Many-to-Any monitoring access aggregates network traffic and provides visibility for one or more monitoring tools. Aggregate and reassemble full duplex conversations from one or more trunked links. Perfect for tools that don't support multiple monitoring interfaces or for redundant networks, EtherChannel, load balanced servers, and asymmetrically routed traffic.

Regeneration (Any-to-Many)

Any-to-Many configurations replicate copies of identical network traffic to provide multiple tools with monitoring access to the same links. In addition to eliminating contention for scarce SPAN ports and test access points, multiple tools can be connected to the same link for redundancy, testing, or advanced monitoring applications.

Port Steering (Any-to-Any)

Any of the ports can be configured as input (network) or output (monitoring) ports on the fly through an easy to use command line interface (CLI).

Highlights

- Consolidate monitoring tools to reduce management expenses and lower tool costs
- Single point of deployment and remote management minimizes management expenses and reduces MTTR
- Monitor 10G links with 1G tools for increased ROI and more efficient use of monitoring resources
- Easily share scarce SPAN ports and test access points without maintenance windows
- Receives traffic from external taps or SPAN ports; allows deployment of tools without impacting the production network, thus simplifying the change control process

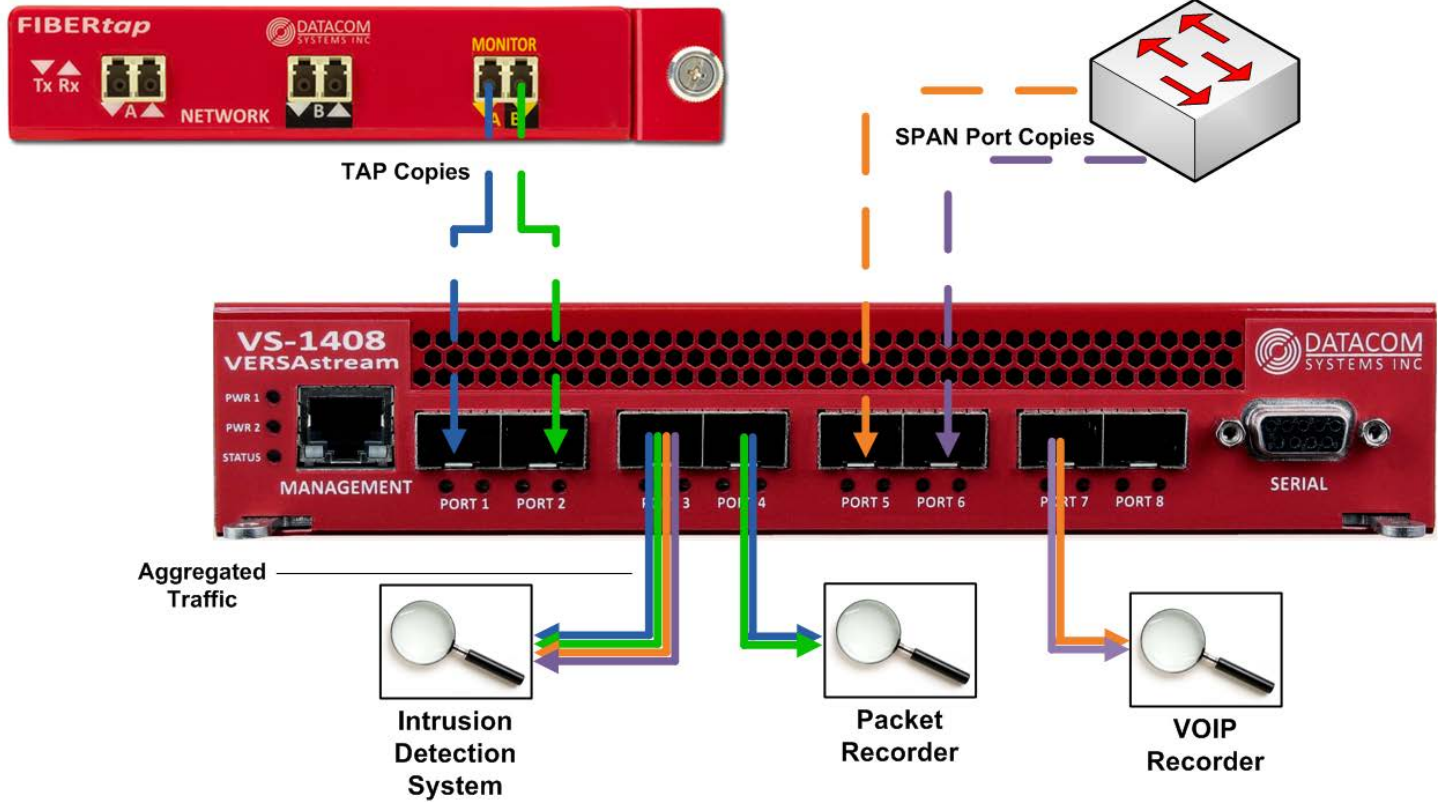
Features

- Load Balance sessions across multiple outputs for monitoring redundancy
- 160 Gbps backplane
- All ports active - no per port licensing
- Filtering - Line-rate hardware-based filtering can eliminate port oversubscription.
- Filter on IPv4 Src/Dst Address, MAC Address, Protocol, Port, Ethertypes i.e. MPLS, VLAN, IPv6 Src/Dst Address
- Combine multiple data sources into one stream and/or send copies to multiple connected tools to share data sources
- Media Conversion - Leverage existing monitoring tools regardless of media type
- Manage device remotely or locally with extensive CLI (SSH)
- SNMP v2c, v3c
- RADIUS, TACACS+
- Traffic rate monitoring



VERSAsystem™ 1408

8 Port Any-to-Any Switch with Load Balancing and Packet Filtering



Technical Specifications

ANY TO ANY PORTS

Any-to-Any Ports: Eight (8) SFP+
 (Supports SFP+ SR, LR, LRM, SFP SX, LX, BT)
Management Port: RJ45
Console Port: DB9

POWER REQUIREMENTS

Dual Redundant Hot Swappable Power Supplies (Included)
Maximum Power Consumption: Less than 90 Watts
Individual Power Supply Rating: 100-240V ~50-60Hz 7A MAX.

CERTIFICATIONS

CE, RoHS

DIMENSIONS (HXWXD)

1.5 x 8.3 x 12.5 in (3.81 x 21.08 x 31.75 cm)

WEIGHT

3.75 lbs (1.7 kgs)

ENVIRONMENTAL

Operating Temperature: 32° to 104°F (0° to 40°C)
Storage Temperature: -22° to 149°F (-30° to 65°C)
Humidity: 5 to 90% non-condensing

WARRANTY

One (1) Year Hardware and Software support included
 Premium Support option available

FILTERING

IPv4 Address Sources and Destinations, Subnets
 MAC Address Sources and Destinations
 Ports
 Ethertype
 VLAN
 IPv6 Address Sources and Destinations, Subnets

ORDER INFORMATION

Product
 VS-1408

Optional Equipment

SFP+ -SR/SX
 SFP+ - LR/LX
 SFP - SX
 SFP - LX
 SFP - RJ45

RMC- 2C

Description

VERSAsystem™ 8 port 10G/1G 10G/1G
 Network Packet Broker. 8 any-to-any ports.

10G/1G Multimode Fiber Transceiver
 10G/1G Singlemode Fiber Transceiver 1G
 Multimode Fiber Transceiver 1G Singlemode
 Fiber Transceiver 1G Copper Transceiver

Rack mount for TS-1406. Fits two units in a
 1U chassis.

Pulse Supply
 909 Ridgebrook Road., Sparks, Maryland 21152, USA
 TEL : +1-410-583-1701 FAX : +1-410-583-1704
 E-mail: sales@pulsesupply.com
<https://www.pulsesupply.com/datacom-systems>

