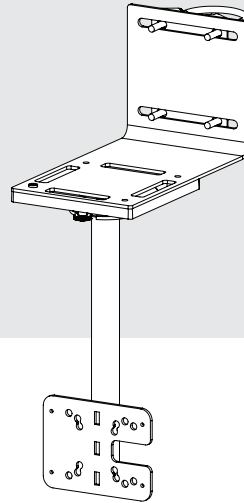




Cel-Fi™ Antenna Mount

Smart Cellular Coverage



Model: F66-100

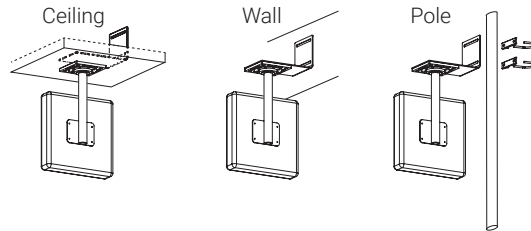
The Cel-Fi Mount is an indoor/outdoor mount designed to secure a donor signal antenna for Cel-Fi QUATRA and work with the Cel-Fi WAVE Antenna Positioning Application.

Nextivity's proprietary 8-position dial base enables the antenna to be rotated in 45-degree increments, with real time performance data.

FEATURES

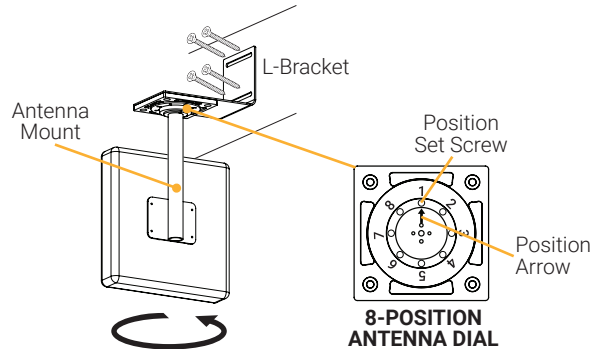
- 26 cm powder-coated pole
- Stamped metal surface
- Indoor/Outdoor
- Supports pole/ceiling/wall application
- Supports 8-position with locking screw
- Flexible hole pattern for multiple mount types

INSTALLING THE ANTENNA AND MOUNT



Using as Donor Antenna with Network Unit (NU): The antenna is best mounted at a window with a clear view to the outside cellular network. Do not point antenna at any nearby CU.

Using as Server Antenna with Coverage Unit (CU): Simply mount and aim the antenna to where coverage is needed. Do not point antenna at nearby NU antenna.



Copyright © 2017 by Nextivity, Inc, U.S. All rights reserved. The Nextivity and Cel-Fi logos are registered trademarks of Nextivity Inc. All other trademarks or registered trademarks listed belong to their respective owners. Designed by Nextivity in California. brief-Antenna-Mount-Eng_17-0427



Pulse Supply
909 Ridgebrook Road.
Sparks, Maryland 21152, USA

TEL : +1-410-583-1701
FAX : +1-410-583-1704

E-mail: sales@pulsesupply.com
<https://www.pulsesupply.com/cel-fi>