

### New Wi-Fi Life for Your IP Phone

Wi-Fi USB Dongle WF40 is a low-power, small form factor device that can be implemented within offices for seamlessly connecting their IP phones to available wireless networks. This dynamic plug-and-play style USB device is an ideal office networking solution for companies—particularly, smaller organizations—seeking affordable, convenient and reliable high-speed wireless connectivity.

Supported by a powerful transmission rate of 150 Mbps, the solution is able to quickly and reliably establish Wi-Fi connectivity so that users can optimally communicate, collaborate, access pertinent documents and resources and more. Wi-Fi USB Dongle WF40 is safe, reliable and easy deployment, which guarantees a flexible and optimal user experience.

Even more, Wi-Fi USB Dongle WF40 is compliant with the IEEE802.11n and IEEE802.11b/g standards, maximizing reliability and throughput.



#### Key Features and Benefits

- > Supports Yealink SIP-T27G/T29G/T46G/T48G/T41S/T42S/T46S/T48S/T52S/T54S/T53
  - For T48G: upgrade to the version of 35.80.0.95 or higher
  - For T29G/T46G/T46S/T48S: upgrade to the version 81 or higher
  - For T27G/T41S/T42S: upgrade to the version of x.81.0.110 or higher
- > Reliable Connection
- > Ease-of-use
- > Plug and Play
- > High Transmission Rate
- > Lower Power Consumption

#### Specifications

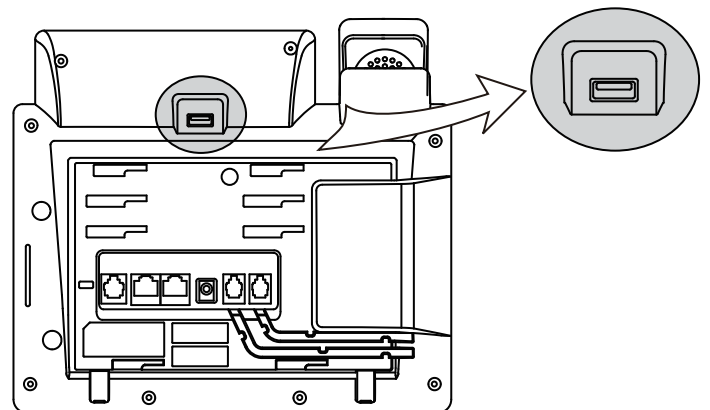
- > Network Standard: IEEE802.11b/g/n
- > Transmission Rate: 150 Mbps
- > Frequency Range: 2.4GHz
- > Security:
  - 64/128/152-bit WEP Encryption, WPA-PSK, WPA2-PSK
- > Interface: USB2.0
- > L\*W\*H: 26.9mm\*18mm\*8mm
- > Working Temperature: 0°C ~ +40°C ( 32°F ~ 104°F)
- > Storage Temperature: -40°C ~+85°C (-40°F ~ 185°F)

#### Certifications

Distributed by:



E-mail: [sales@pulsesupply.com](mailto:sales@pulsesupply.com)  
<https://www.pulsesupply.com/yealink>



#### Package Features

- > Qty/CTN: 40 PCS
- > N.W/CTN: 1.70 kg
- > G.W/CTN: 2.20 kg
- > Carton Meas: 305mm\*260mm\*272mm
- > Giftbox Size: 119mm\*113mm\*26mm

## About Yealink

Yealink is a global leading provider of enterprise communication and collaboration solutions, offering video conferencing service to worldwide enterprises. Focusing on research and development, Yealink also insists on innovation and creation. With the outstanding technical patents of cloud computing, audio, video and image processing technology, Yealink has built up a panoramic collaboration solution of audio and video conferencing by merging its cloud services with a series of endpoints products. As one of the best providers in more than 140 countries and regions including the US, the UK and Australia, Yealink ranks No.1 in the global market share of SIP phone shipments.

## Copyright

Copyright © 2018 YEALINK(XIAMEN) NETWORK TECHNOLOGY CO., LTD.

Copyright © 2018 Yealink(Xiamen) Network Technology CO., LTD. All rights reserved. No parts of this publication may be reproduced or transmitted in any form or by any means, electronic or mechanical, photocopying, recording, or otherwise, for any purpose, without the express written permission of Yealink(Xiamen) Network Technology CO., LTD.

## Technical Support

Visit Yealink WIKI (<http://support.yealink.com/>) for firmware downloads, product documents, FAQ, and more. For better service, we sincerely recommend you to use Yealink Ticketing system (<https://ticket.yealink.com>) to submit all your technical issues.



YEALINK(XIAMEN) NETWORK TECHNOLOGY CO.,LTD.  
Web: [www.yealink.com](http://www.yealink.com)  
Addr: No.1 Ling-Xia North Road, High Tech Park,  
Huli District, Xiamen, Fujian, P.R. China  
Copyright©2018Yealink Inc. All right reserved.