

DIGI

PulseSupply  
pulsesupply.com



Manage this device with  
Digi Remote Manager

# DIGI XBEE 3 CELLULAR LTE CAT 1 DEVELOPMENT KIT

The Digi XBee 3 Cellular LTE Cat 1 development kit provides OEMs with a simple, quick way to integrate cellular connectivity into their devices

The Digi XBee® 3 Cellular embedded smart modem brings together the power and flexibility of the Digi XBee Ecosystem with the latest in LTE cellular technology. OEMs can quickly integrate cutting edge LTE cellular into their devices and applications, eliminating the time-consuming and expensive FCC and carrier end-device certification process.

Digi XBee 3 Cellular development kits help developers integrate cellular connectivity into applications using Digi XBee 3 embedded modems. Starting with simple examples, we provide step-by-step guidance as you assemble the kit components to create reliable, low-power cellular communication connectivity for OEM devices like sensors and monitoring systems.

Each kit includes three months of cellular data service, pre-activated and ready to go, so your team can focus on your primary goal: prototyping and developing products.

This kit is designed for anyone interested in getting started in the world of embedded cellular. Hardware and software engineers, corporate technologists, or educators and students can quickly learn more about cellular integration using the hands-on examples included in the kit.

With the full suite of standard Digi XBee API frames and AT commands, Digi XBee customers can seamlessly transition to this embedded modem with only minor software adjustments. OEMs can future-proof your designs by adding

## Your kit includes:

- ✓ Digi XBee 3 Cellular LTE Cat 1 embedded modem
- ✓ Digi XBee 3 development board
- ✓ SIM card for LTE Cat 1 cellular service out of the box
- ✓ 3 months of free cellular service\*
- ✓ Free schematic review by Digi WDS\*\*
- ✓ Antennas and power cable

PART NUMBER	DESCRIPTION	RECOMMENDED FOR NEW DESIGNS
XK3-C-V1-T-UB	Digi XBee 3 Cellular LTE Cat 1 Development Kit, Verizon	Yes
XK3-C-A1-T-UB	Digi XBee 3 Cellular LTE Cat 1 Development Kit with XBIB-C Dev Board, AT&T	No
XK3-C-A1-UT-U	Digi XBee 3 Cellular LTE Cat 1 Development Kit, AT&T	No

\*Service is limited to ~5 MB/month and limited SMS. For testing purposes only; not for production.  
\*\*Level 1 review

Digi XBee 3 Cellular. Ideal for any OEM business following an agile roadmap, Digi XBee 3 Cellular provides the flexibility to switch between wireless protocols or migrate to LTE M or NB-IoT.

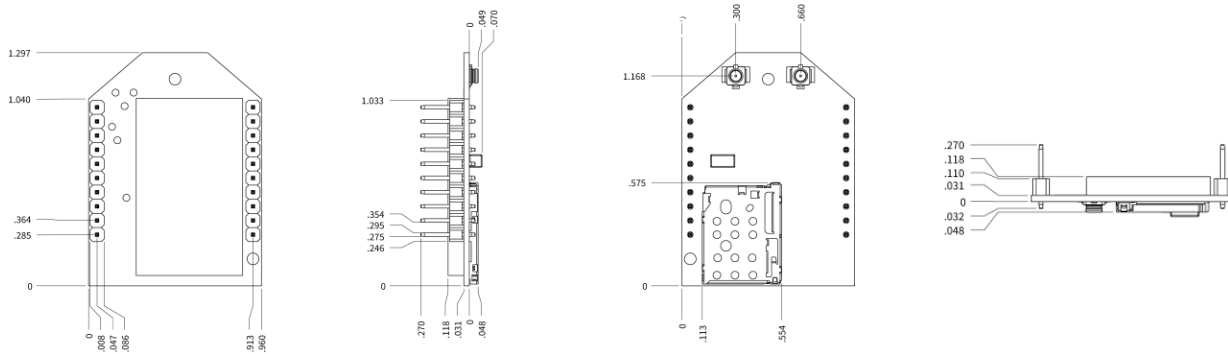
DIGI

## SPECIFICATIONS

## Digi XBee® 3 Cellular LTE Cat 1 Smart Modem

HARDWARE	
CELLULAR CHIPSET	Telit LE866A1-NA (AT&T, not recommended for new designs), LE866-SV1 (Verizon)
FORM FACTOR	Digi XBee® 20-pin through-hole
ANTENNA OPTIONS	1 U.FL: Cellular Primary, 1 U.FL: Cellular Diversity Embedded Bluetooth® Antenna
DIMENSIONS	24.38 mm x 32.94 mm (0.96 in x 1.3 in)
OPERATING TEMPERATURE	-40° C to 80° C (-40° F to 176° F)
SIM SIZE	4FF Nano
INTERFACE AND I/O	
DATA INTERFACE	UART, SPI, USB
OPERATING MODES	Transparent and API over serial, PPP over USB
SECURITY	Digi TrustFence® security with secure boot and protected JTAG
CONFIGURATION TOOLS	Digi XCTU® (local), Digi Remote Manager® (OTA)
EMBEDDED PROGRAMMABILITY	MicroPython with 512 kB flash / 64 kB RAM
I/O	4 ADC lines (10-bit), 13 Digital I/O, I2C
BLUETOOTH	BLE
CELLULAR CHARACTERISTICS	
TRANSMIT POWER	Up to 23 dBm
RECEIVE SENSITIVITY	-102 dBm
CARRIER APPROVALS	AT&T End-Device Certified (NRND); not recommended for new designs Bell End-Device Certified Telus End-Device Certified Verizon End-Device Certified Compatible with other LTE Cat 1 carriers; see Supported Bands
SUPPORTED BANDS	Bands 2, 4, 12 Bands 4, 13 (Verizon module)
DOWNLINK/UPLINK SPEEDS	10 mbps downlink, 5 mbps uplink (USB) 921 kbps downlink and uplink (UART)
DUPLEX MODE	Full-duplex
POWER REQUIREMENTS (AT 3.3 VDC INPUT POWER)	
SUPPLY VOLTAGE	3.0 to 5.5 V
PEAK TRANSMIT CURRENT	1000 mA Bluetooth disabled 1060 mA Bluetooth enabled
AVG TRANSMIT CURRENT	850 mA
AVG RECEIVE CURRENT	320 mA
REGULATORY AND CARRIER APPROVALS	
FCC (USA)	MCQ-XB3C1 and RI7XE866A1NA, MCQ-XB3C1 and RI7LE866SV1A (for Verizon module)
IC (CANADA)	1846A-XB3C1 and 5131A-XE866A1-NA, 1846A-XB3C1 and 5131A-LE866-SV1A (for Verizon module)
AT&T END-DEVICE CERTIFIED (NRND)	Complete - XB3-C-A1-UT-001 and XK3-C-A1-T-UB only (SKU not recommended for new designs)
VERIZON END-DEVICE CERTIFIED	Complete - XB3-C-V1-UT-001 and XK3-C-A1-T-UB only
TELUS END-DEVICE CERTIFIED	Complete - XB3-C-A1-UT-001 and XK3-C-A1-T-UB only (SKU not recommended for new designs)
BELL END-DEVICE CERTIFIED	Complete - XB3-C-A1-UT-001 and XK3-C-A1-T-UB only (SKU not recommended for new designs)
PTCRB	Complete for all SKUs

## PRODUCT IMAGES



## DIGI REMOTE MANAGER®



Digi Remote Manager is the technology platform that brings networks to the next level, allowing networks — and the people who manage them — to work smarter. With Digi Remote Manager you can transform a multitude of dispersed IoT devices into a dynamic, intelligent network. Now you can easily deploy, monitor and diagnose thousands of mission-critical devices from a single point of command — on your desktop, tablet or phone. All the while, its software-defined security diligently safeguards your entire Digi ecosystem.

Learn more at [www.digi.com/digi-remote-manager](http://www.digi.com/digi-remote-manager)

### CAPABILITIES

- Activate, monitor and diagnose your mission-critical devices from a single point of command and control — on your desktop or mobile app
- Schedule key operations — including firmware updates and file management — on a single device or on a group of devices, keeping your network functionality up-to-date and maintaining compliance standards
- Manage edge devices out-of-band via console terminal access
- Keep tabs on device health and connectivity across device deployments of any size
- Create detailed reports and enable real-time alerts for specified conditions
- Integrate device data through open APIs to gain deeper insights and control with third-party applications
- Report and alert on performance statistics, including connection history, signal quality, latency, data usage and packet loss

### INFRASTRUCTURE

- Hosted in a commercial-grade cloud server environment that meets SOC 1®, SOC 2® and SOC 3® standards
- Superior availability, operating to 99.9% or greater
- Open APIs available to support application development

### SECURITY

- More than 175 security controls in place to protect your data
- Member of the Center for Internet Security® (CIS®)
- Enables compliance with security frameworks like ISO27002, HIPAA, NIST and more
- Earned Skyhigh's CloudTrust™ Program highest rating of Enterprise-Ready

## DIGI XBEE® TOOLS

The Digi XBee Ecosystem is fully supported with the award-winning Digi XBee Tools suite. Designed to support the full product lifecycle, from prototyping and development to deployment and ongoing monitoring, Digi XBee Tools includes code libraries, testing and prototyping tools, product development and manufacturing support, and tools for deploying and managing end devices in the field.



DEVELOP



BUILD



DEPLOY



MANAGE

## DIGI WIRELESS DESIGN SERVICES



DEFINITION



DEVELOPMENT



CERTIFICATION



MANUFACTURING

### GET TO MARKET FASTER

Digi Wireless Design Services (WDS) has a 15-year history of helping clients speed down the path to success by guiding them around the technological and regulatory certification pitfalls that that botch budgets and disrupt product introductions.

We begin by actively listening to your business and technical requirements, and then leverage our proven methodology, world-class engineering expertise and library of IP to design a cost-effective solution that is tailored to your specific needs.

Acceslerate toward the solution that is right for you and your customers. Contact Digi WDS to find out how we can guide you to success.

### WDS SERVICES

We offer services to support you wherever you are along your development path:

- Proof of concept
- Architecture consultation
- Requirements definition
- System, software and electrical design
- Design reviews
- Certifications
- Prototype build
- Manufacturing test fixtures

### WDS RECORD

Our record speaks for itself.

- 250+ product development projects
- 100+ certification failure rescues
- 100 million connected devices around the globe

DIGI SERVICE AND SUPPORT / You can purchase with confidence knowing that Digi is always available to serve you with expert technical support and our industry leading warranty. For detailed information visit [www.digi.com/support](http://www.digi.com/support).

© 1996-2021 Digi International Inc. All rights reserved.  
All trademarks are the property of their respective owners.

91004236  
B1/321



909 Ridgebrook Road., Sparks, Maryland 21152, USA

TEL : +1-410-583-1701 FAX : +1-410-583-1704

E-mail: [sales@pulsesupply.com](mailto:sales@pulsesupply.com)

<https://www.pulsesupply.com/digi-products>

